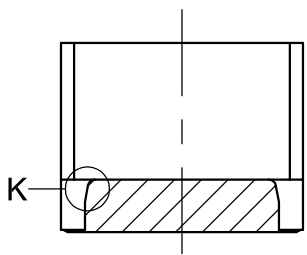
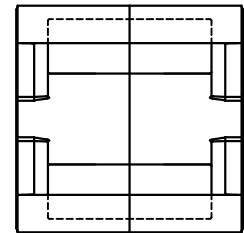
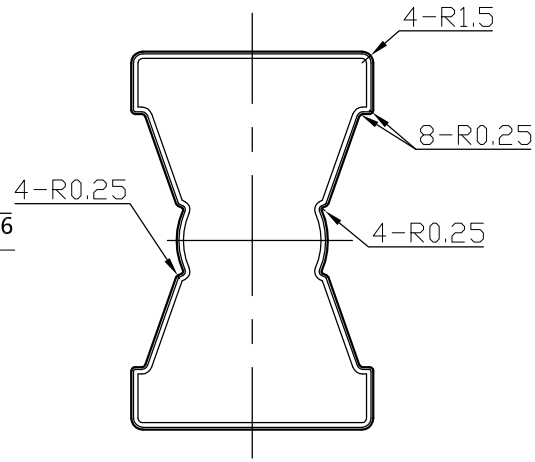
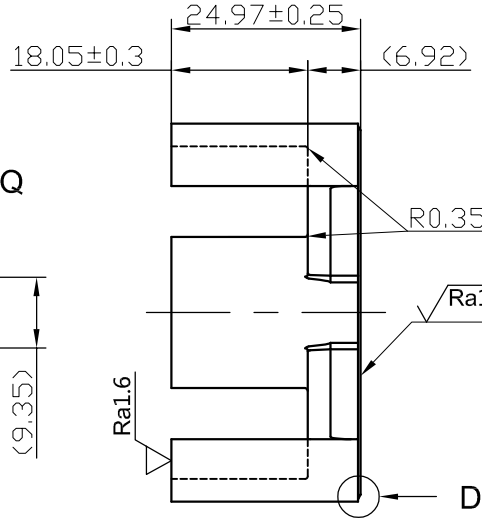
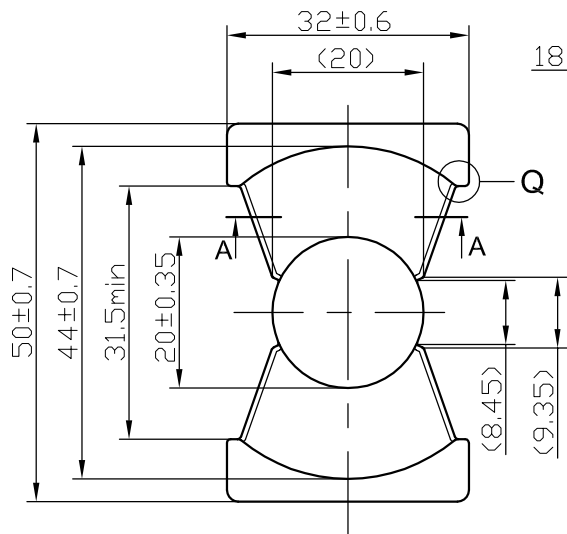
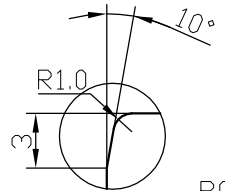


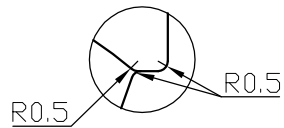
REVISION HISTORY			
Rev	DESCRIPTION	DATE	APPROVED



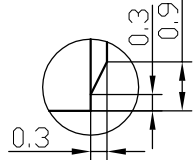
Section A-A



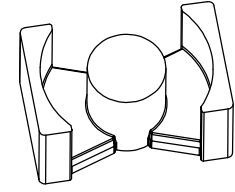
Detail K



Detail Q



Detail D



	Scale	1:1	Material	Customer Part number		
	Unit:	Standard tolerances		±0.1	Product Name	
	mm			PQ-50-50		
Approved by	Created by	Document type	Rev	Drawing No.		
Y.Higuchi	Z.Zhang	Production drawing	00	PY160713M02		
Hitachi Metals (Hong kong) Ltd. Panyu Factory				Date of issue	Sheet	
				JUL 13 2016	1/1	